

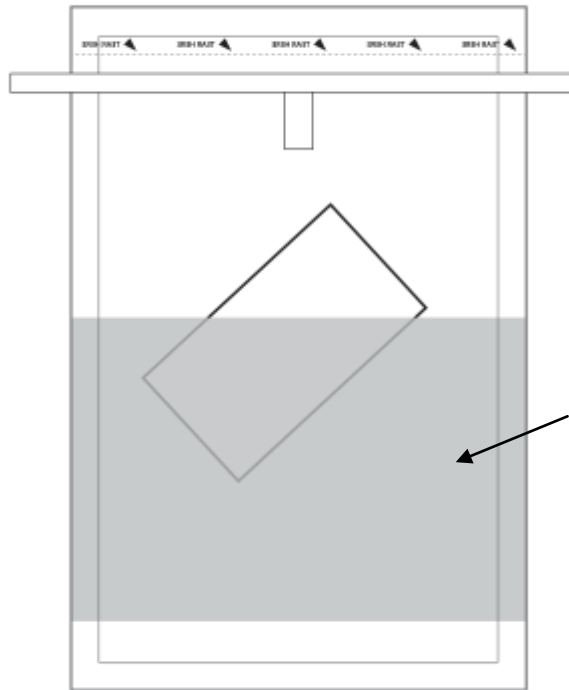
Instructions For Use



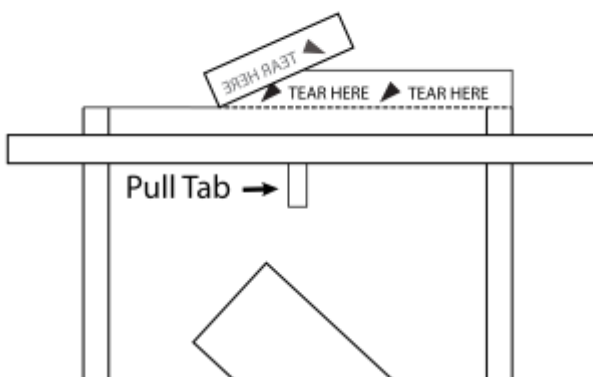
SampleRight™ Sponge Sampling Device

Watch Demonstration Video

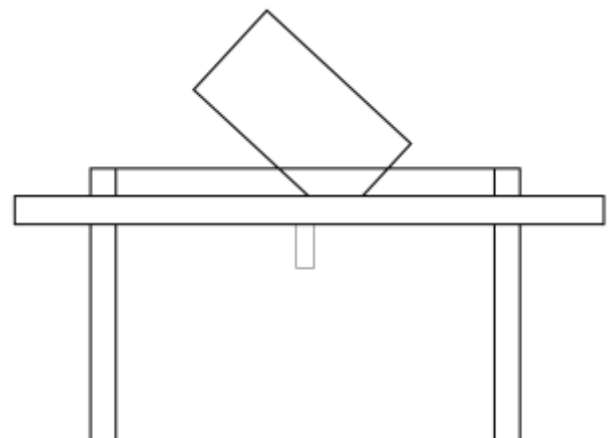
https://www.worldbioproducts.com/sampleright_sponges.html



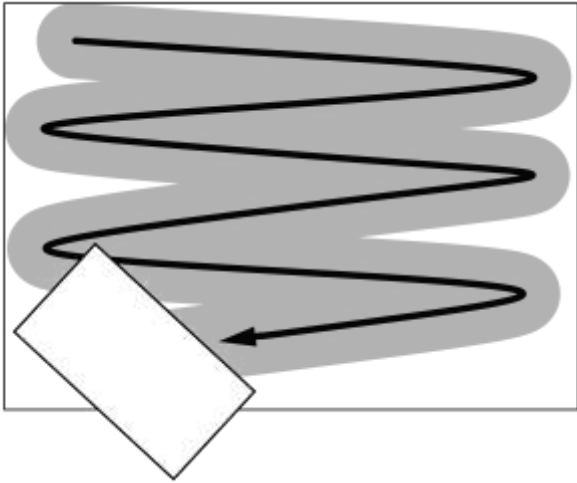
1. Label the sample bag.



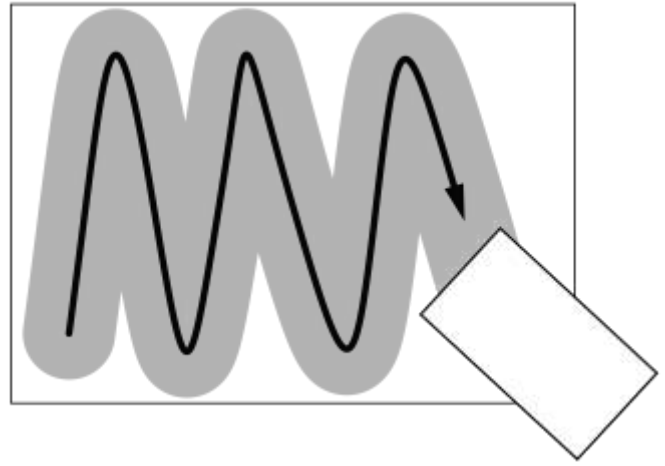
2. Tear off the top of bag where indicated. Pull tabs to open bag. If needed, add a collection solution to hydrate a dry sponge.



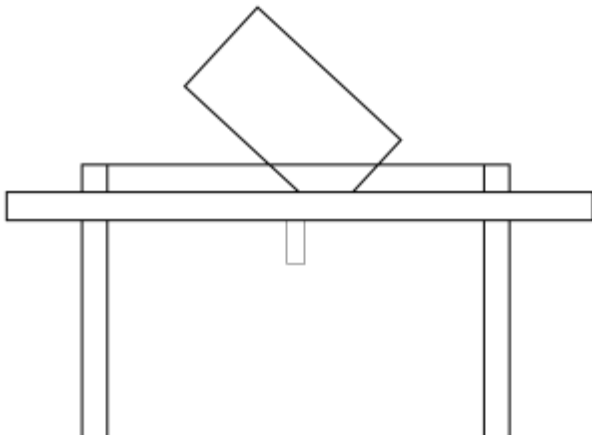
3. Keeping hands outside the bag, guide the sponge out the top of the bag. Grasp the sponge and remove with a gloved hand.



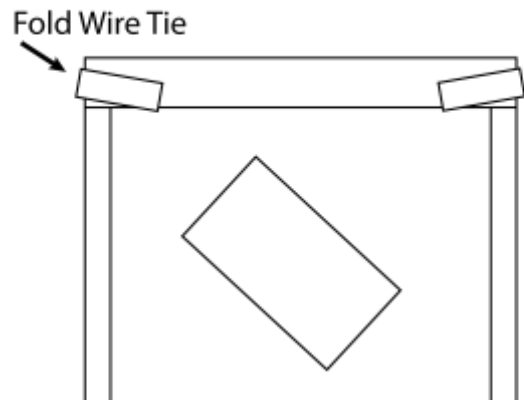
4. Vigorously scrub back and forth in one direction across the sample surface.



5. FLIP the sponge over. Change direction 90° and scrub back and forth across the same surface area.



6. Return the sponge to the bag.



7. Roll down the top of the sample bag several times and fold the wire ties over to securely close. Send to a laboratory for analysis.

Limitation of Liability:

World Bioproducts LLC shall not be liable for any special or consequential damages that result from the use of, or the inability to use, these materials or the performance of the products, even if World Bioproducts LLC has been advised of the possibility of such damages. Applicable law may not allow the limitation of exclusion of liability or incidental or consequential damages, so the above limitation or exclusion may not apply to you.

For In-Vitro Use Only

Safety Data Sheets & Certificates of Analysis available upon request

Refer to package label for storage information

World Bioproducts, LLC
 Call 877-260-6441 / Mail PO Box 947, Bothell, WA 98041
 Email orders@worldbioproducts.net / Visit worldbioproducts.com



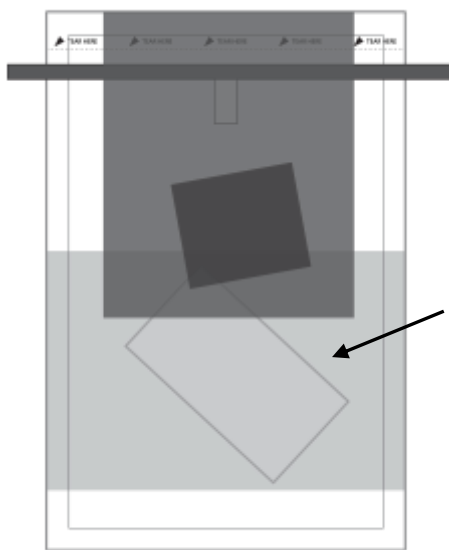
Instructions For Use



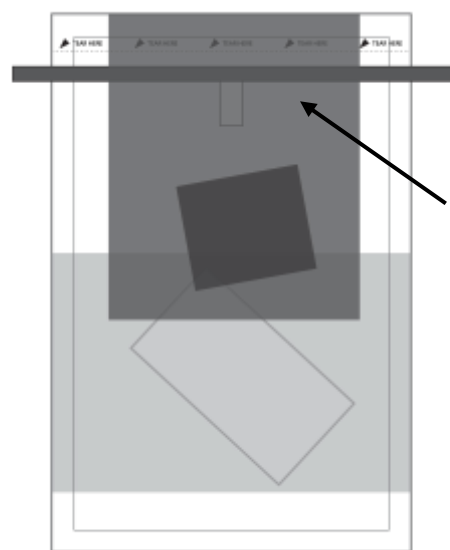
SampleRight™ Sponge Sampling Device with GLOVES

Watch Demonstration Video

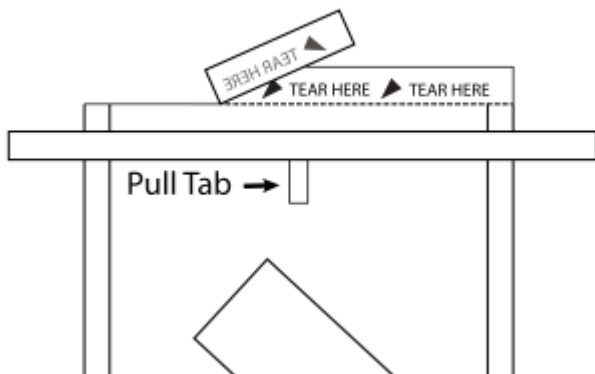
https://www.worldbioproducts.com/sampleright_sponges.html



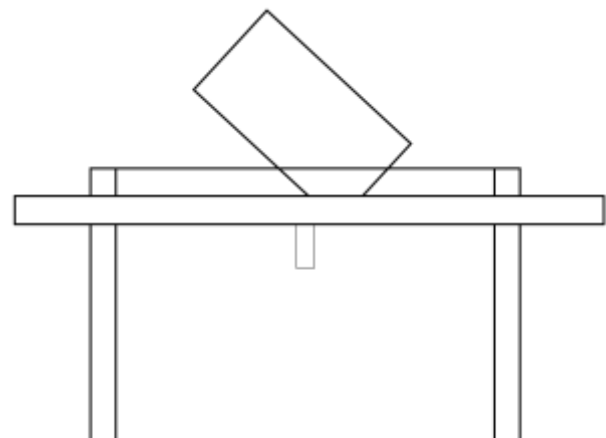
1. Write sample information onto printed bag label.



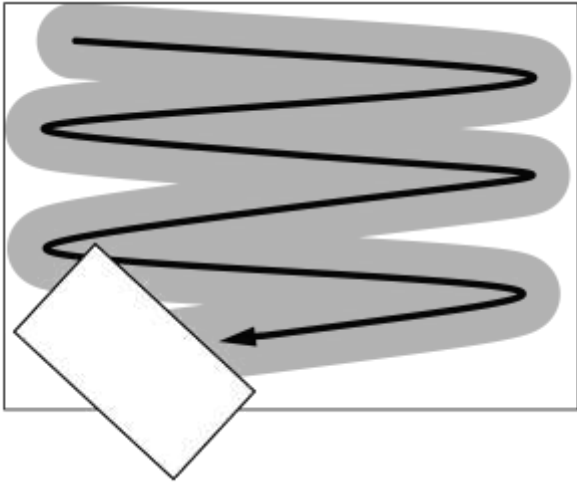
2. Tear off glove packet and put on gloves.



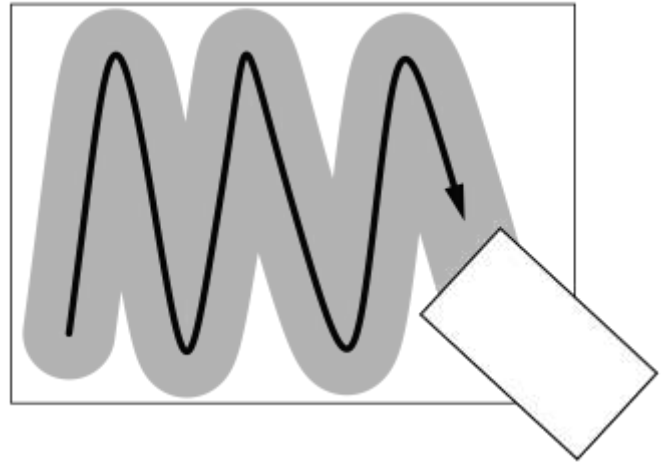
3. Tear off the top of bag where indicated. Pull tabs to open bag. If needed, add a collection solution to hydrate a dry sponge.



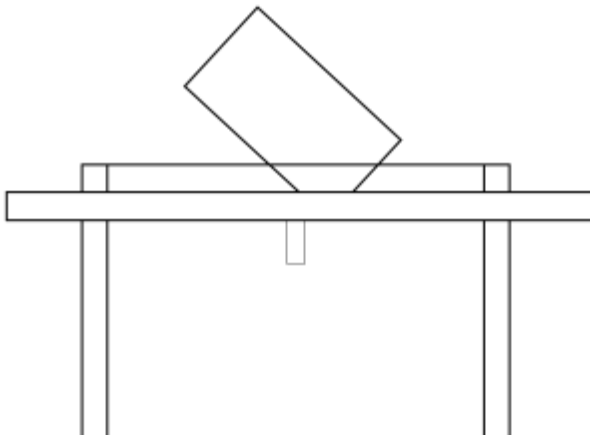
4. Keeping hands outside the bag, guide the sponge out the top of the bag. Grasp the sponge and remove with a gloved hand.



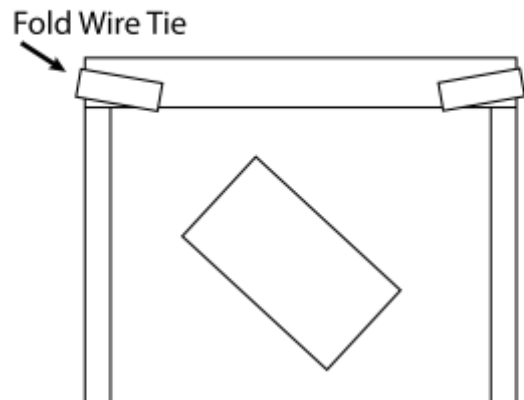
5. Vigorously scrub back and forth in one direction across the sample surface.



6. FLIP the sponge over. Change direction 90° and scrub back and forth across the same surface area.



7. Return the sponge to the bag.



8. Roll down the top of the sample bag several times and fold the wire ties over to securely close. Send to a laboratory for analysis.

Limitation of Liability:

World Bioproducts LLC shall not be liable for any special or consequential damages that result from the use of, or the inability to use, these materials or the performance of the products, even if World Bioproducts LLC has been advised of the possibility of such damages. Applicable law may not allow the limitation of exclusion of liability or incidental or consequential damages, so the above limitation or exclusion may not apply to you.

For In-Vitro Use Only

Safety Data Sheets & Certificates of Analysis available upon request

Refer to package label for storage information

World Bioproducts, LLC
 Call 877-260-6441 / Mail PO Box 947, Bothell, WA 98041
 Email orders@worldbioproducts.net / Visit worldbioproducts.com

